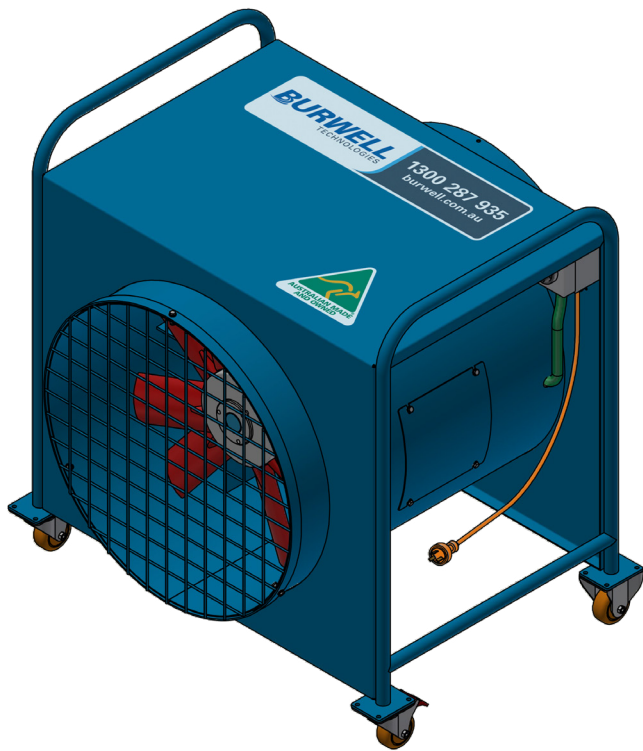


10000 ELECTRIC EXTRACTION FAN

Portable Extraction Fan

Burwell's Extraction Fans are suitable for confined blast areas to assist in air circulation and improved visibility for the operator.



AUSTRALIAN MADE

Designed and made in Australia to AS1210 using Australian Plate Steel.



IMPROVED MANOEUVRABILITY

Portable design for easy mobility.



COST EFFECTIVE

Provides a cost effective solution to improve air quality on the job site.



LOW MAINTENANCE

Plug and play, no ongoing service costs.



DURABLE

Built tough to last.

Specifications

Weight: 105kg
Length: 810mm
Width: 960mm
Height: 950mm
Power: 415V (20 amp) 4 pin plug
Casters included

Accessories Available

Dust Socks: 622mm dia x 3m or
622mm dia x 6m
Band Clamp to suit Dust Sock

Option

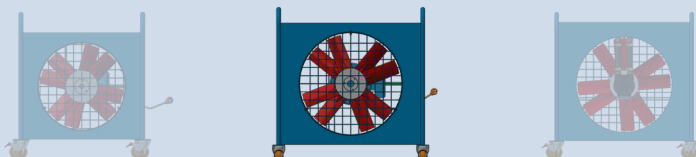
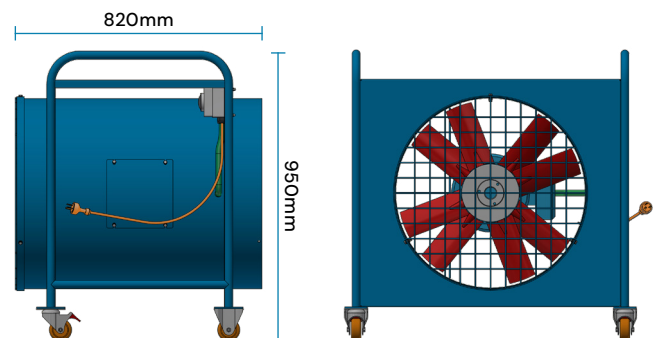
Flexible Ducting with Duct Joiner

Part Number

1301-1415

Description

10000 CFM Electric Extraction Fan



BURWELL

1300 287 935 burwell.com.au

Version 240602