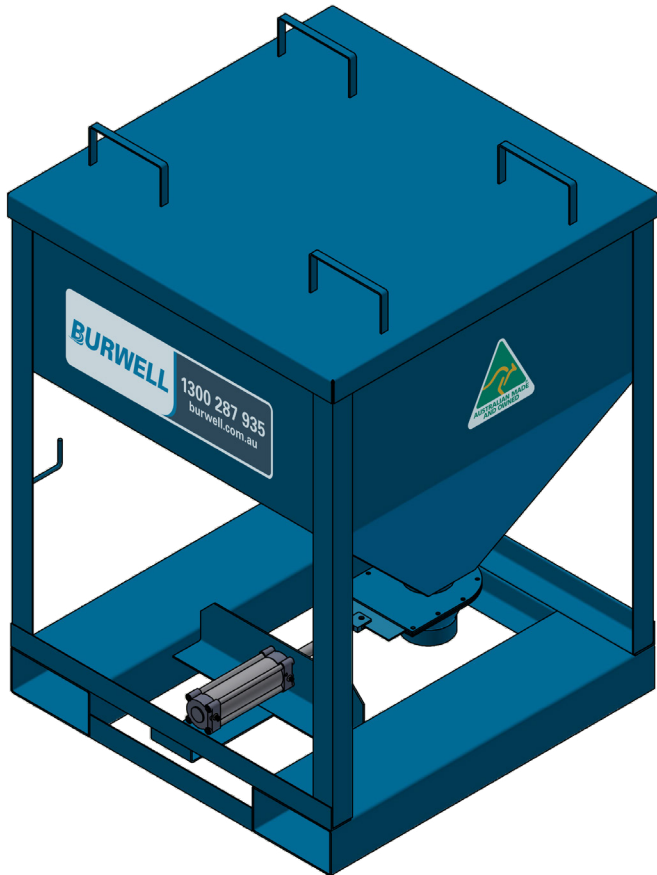


# LOAD HOPPER

## Effective and Secure

A convenient way to load your Blast Machine.



### BUILT TOUGH

Engineer certified for rating up to 3 tonne loads.



### MANEUVERABILITY

Toggle switch operated from ground level and all equipment have tyne slots.



### AUSTRALIAN MADE

Designed and made in Australia to AS4100 using Australian Steel.



### SITE READY

Forklift slots comply with Australian safety and site standards.

#### Specifications

2 tonne Garnet Capacity Hopper  
Pneumatic knife gate with pneumatic cylinder  
Length: 1250mm  
Width: 1250mm  
Height: 1750mm

#### Inclusions

Pneumatic operated toggle switch

#### Part Number

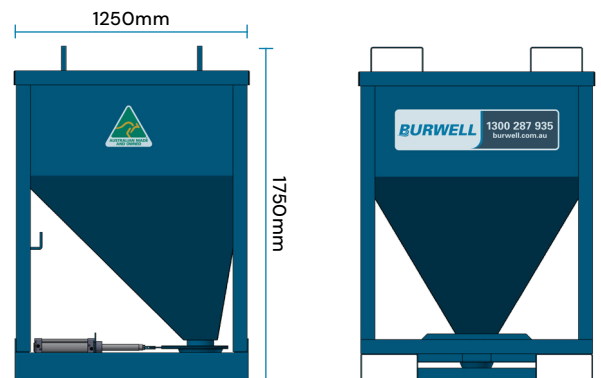
1304-1202

#### Description

Burwell Load Hopper



The convenient way to refill your Blast Machine.



# BURWELL

1300 287 935 burwell.com.au